

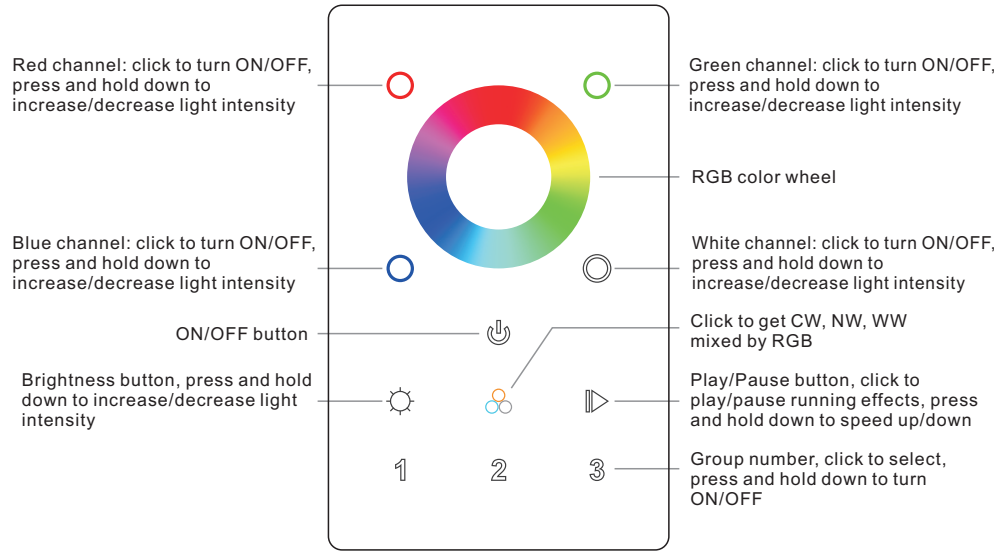
DT8 DALI RGBW Touch Controller

70030042

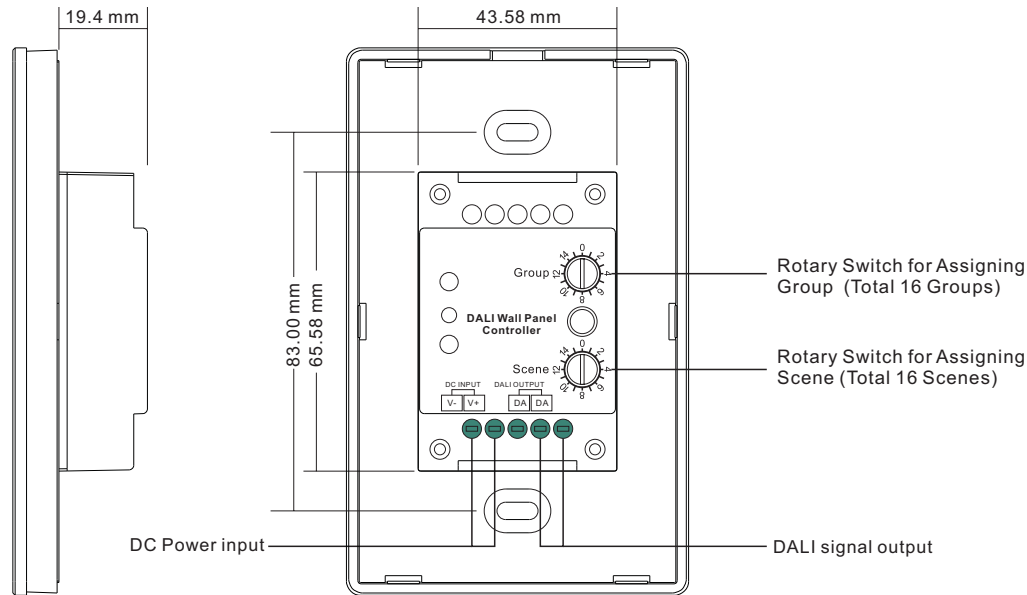


Important: Read All Instructions Prior to Installation

Function introduction



Front side



Back side

Product Data

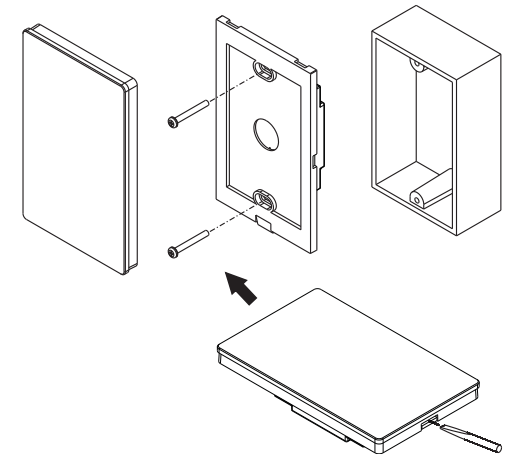
Output Signal	DALI signal
Power Supply	12-24VDC
Power consumption	< 20 mA
DALI consumption	4 mA
Operating temperature	0-40°C
Relative humidity	8% to 80%
Dimensions	75x120x29.1mm

- Touch sensitive.
- Glass interface(white & black).
- Comply to DALI standard protocol IEC 62386-102, IEC 62386-207, IEC 62386-209 and in compliance with DALI products from other international incorporation
- Enable to control 3 DALI Groups.
- Enable to set start DALI group number (0-15) by rotary switch on the back.
- Support DT8 devices
- Color adjustment according to DALI specifications of Device Type 8, Color Type RGBWAF.
- Each DT8 device is controlled via a single DALI address
- Built-in 8 Color Sequences

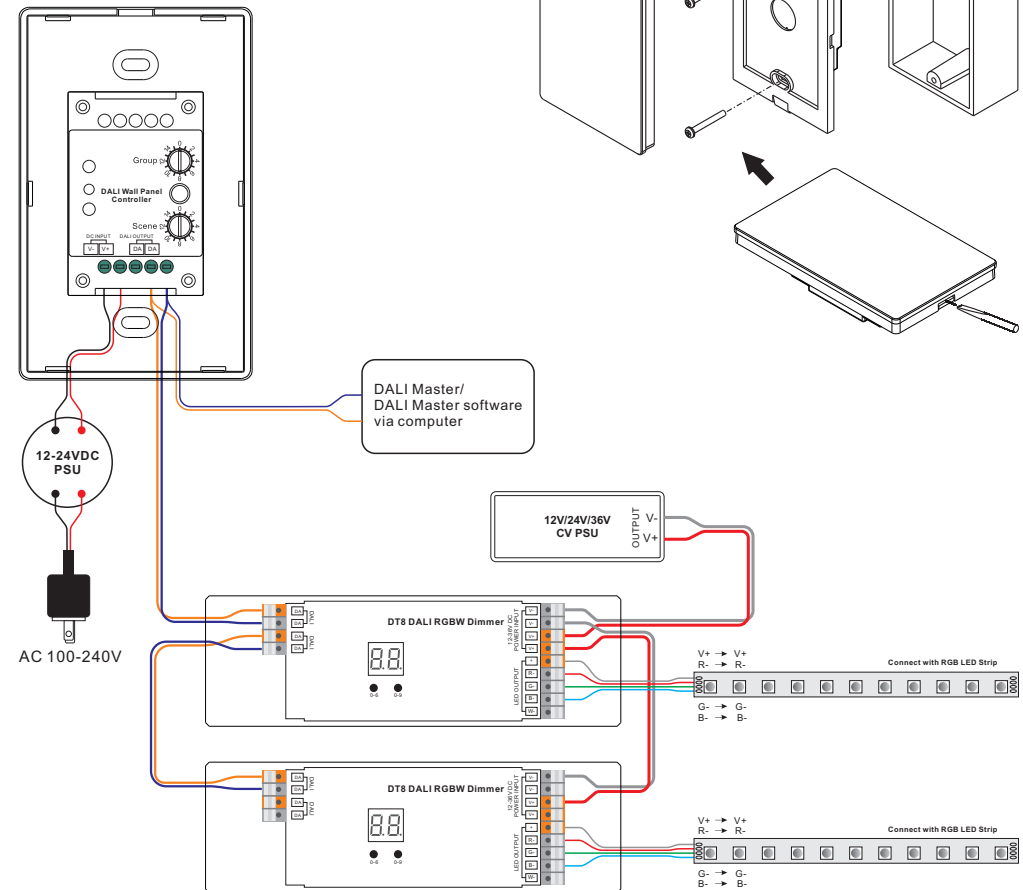
Safety & Warnings

- DO NOT install with power applied to device.
- DO NOT expose the device to moisture.

Installation



Wiring diagram



Operation

1. Do wiring according to connection diagram correctly.

2. Set starting Group number via rotary switch on the back: (0-15 selectable)

- This DALI touch panel controller enables dimming commands to be sent to 3 Groups of devices on the DALI circuit. A rotary switch on the back is used to select Groups you would like to control and set the starting Group number, and total 16 Groups (0-15) can be selected.

- When the rotary switch arrow position is at 0, button 1 controls all DALI devices on the circuit via broadcast, button 2 controls devices in DALI Group 0, and button 3 controls devices in DALI Group 1.

- When the rotary switch arrow position is at X except 0 (1-13), button 1 controls devices in DALI Group X-1, button 2 controls devices in DALI Group X, and button 3 controls devices in DALI Group X+1.

For example: Rotary switch arrow at 1, button 1 controls DALI Group 0, button 2 controls DALI Group 1, and button 3 controls DALI Group 2. Rotary switch arrow at 13, button 1 controls DALI Group 12, button 2 controls DALI Group 13, and button 3 controls DALI Group 14.

- When the rotary switch arrow position is at 14, button 1 controls devices in DALI Group 13, button 2 controls devices in DALI Group 14, and button 3 controls all devices through broadcast.

- When the rotary switch arrow position is at 15, button 1 controls devices in DALI Group 14, button 2 controls all devices through broadcast, and button 3 controls devices in DALI Group 0.

Note: all DALI slaves on the circuit shall be assigned to one or more DALI groups by DALI master first.

Please refer to the detailed Group setting table as follows:

Rotary Switch Position	0	1	2	3	4	5	6	7	8	9	10	11	12	13	14	15
DALI Group for Button 1	Broadcast	0	1	2	3	4	5	6	7	8	9	10	11	12	13	14
DALI Group for Button 2	0	1	2	3	4	5	6	7	8	9	10	11	12	13	14	Broadcast
DALI Group for Button 3	1	2	3	4	5	6	7	8	9	10	11	12	13	14	Broadcast	0